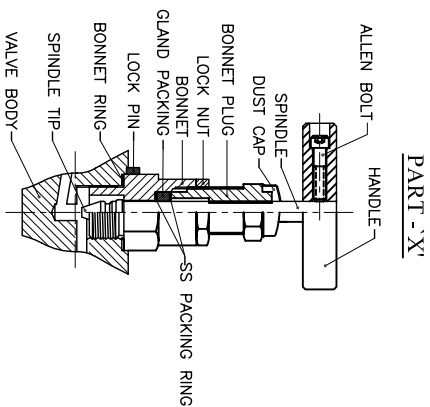


TITLE	DESCRIPTION
M.O.C.	BODY-ASTM A 182 F 316/316L & ALL OTHER SPARES ASTM A 479 GR.316/316L.
DESIGN	SCREWED BONNET
SPINDLE	NON-ROTATING 'V' TIP/TC 'BALL' TIP
PACKING	o) PTFE AS STD UP TO MAX. 250 DEG & GRAFOIL AS OPTIONAL FOR HIGHER TEMPERATURE UP TO MAX. 648°C FOR STREAM SERVICES.
LOCK PIN	BONNET LOCK PIN TO PREVENT ACCIDENTAL LOOSENING.
IDENTIFICATION	COLOUR CODED ALUMINIUM STICKERS ON BONNET FOR ISOLATION ALONGWITH STEM DUST VINYL CAPS OF RED COLOUR.
HANDLE	SS BAR TYPE WITH ALLEN BOLT.
VISUAL FINISH	MATT FINISH / ELECTRO POLISH FINISH.
MARKING	LOGO/BRAND NAME MODEL NO., M.O.C, PRESSURE RATING & FLOW DIRECTION
LUBRICANT	o)ANTI SEIZE - NEVER-SEEZ b)THREAD SOLVENT - LOCTITE-542
THREADS	o)NPT THREAD AS PER ANSI B 2.1 b) BSPP THREAD AS PER BS 2779 c) BSPT THREAD AS PER BS21
HYDRO TEST	FOR PTFE PACKING UP TO 6000 PSI & FOR GRAFOIL PACKING 4500 PSI
PNEUMATIC TEST	150 PSI
NITROGEN TEST	2000 PSI
TEST AVAILABLE UPON REQUESTS :	VIBRATION, TEMPERATURE CYCLING, HELIUM etc.
VALVES CAN BE SUPPLIED TO MEET CURRENT REVISION NACE MR-01-75	

*NOTE : ALL DIMENSIONS IN MM ARE FOR REFERENCE ONLY AND ARE SUBJECT TO CHANGE WITHOUT PRIOR INTIMATION.



DESIGN : BONNET ASSEMBLY

DIMENSIONAL DETAILS

Model No	Size	A	B	L	L1	H	E
BAX - 2NVVAMM	1/8"	28.00	10.00	38.00	24.00	90.00	3.20
BAX - 4NVVAMM	1/4"	28.00	14.00	42.00	28.00	90.00	3.20
BAX - 6NVVAMM	3/8"	28.00	14.00	42.00	28.00	90.00	3.20
BAX - 8NVVAMM	1/2"	32.00	19.00	50.00	35.00	92.00	4.80
BAX - 12NVVAMM	3/4"	38.00	19.00	57.00	38.00	95.00	4.80
BAX - 16NVVAMM	1"	45.00	24.00	68.00	46.00	100.00	8.00

For Ordering add

TP-Teflon Packing, GP-Gratfoil Packing, VT-"V" Tip, BT-Ball Tip.

For e.g : Model No. 8NVVAMM-TP-VT

Where '8' Stands for 1/2", 'NV' Stands for Needle Valve, 'A' Stands for Angle 'MF' Stands for Male X Male, 'TP' Stands for Teflon Packing & 'VT' Stands for 'V' Tip.

BAXCELL Instrument Valves & Fittings Pvt. Ltd.

(4th 1st 9001/2008 COMPANY)



Title : MALE-MALE (ANGLE TYPE) NEEDLE VALVE

DRAWING NO.: BAX-NVAMM-06

REV. NO. 00

SCALE : NTS DATE : 01.12.2011

DRAWN BY :

CHECKED BY :

APPROVED BY :