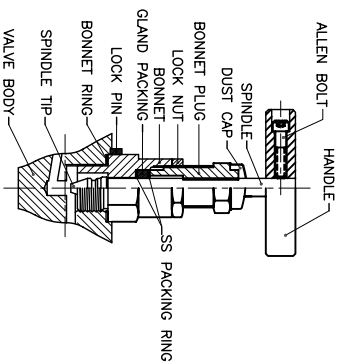


**TECHNICAL SPECIFICATION**

TITLE	DESCRIPTION
M.O.C.	BODY-ASTM A 182 F 316/316L & ALL OTHER SPARES ASTM A 479 GR.316/316L.
DESIGN	SCREWED BONNET
SPINDLE	NON-ROTATING CASE HARDENED 'V' TIP/TUNGSTEN CARBIDE 'BALL' TIP
PACKING	a) PTFE AS STD UP TO MAX. 250 DEG & GRAFOIL AS OPTIONAL FOR HIGHER TEMPERATURE UP TO MAX. 648°C FOR STREAM SERVICES.
LOCK PIN	BONNET LOCK PIN TO PREVENT ACCIDENTAL LOOSENING.
IDENTIFICATION	COLOUR CODED ALUMINIUM STICKERS ON BONNET FOR ISOLATION ALONGWITH STEM DUST VINYL CAPS OF RED COLOUR.
HANDLE	SS BAR TYPE WITH ALLEN BOLT.
VISUAL FINISH	MATT FINISH / ELECTRO POLISHED FINISH.
MARKING	LOGO/BRAND NAME MODEL NO., SIZE,M.O.C., PRESSURE RATING & FLOW DIRECTION
LUBRICANT	a)ANTI SEIZE - NEVER-SEEZ b)THREAD SOLVENT - LOCTITE-542
THREADS	a)NPT THREAD AS PER ANSI B 2.1 b) BSPP THREAD AS PER BS 2779 c) BSPT THREAD AS PER BS21
HYDRO TEST	FOR PTFE PACKING UPTO 6000 PSI & FOR GRAFOIL PACKING 4500 PSI
PNEUMATIC TEST	150 PSI
NITROGEN TEST	2000 PSI
TEST AVAILABLE UPON REQUESTS :	VIBRATION, TEMPERATURE CYCLING, HELIUM etc.
VALVES CAN BE SUPPLIED CURRENT REVISION NACE	MR-01-75 & OXYGEN SERVICES.

\*NOTE : ALL DIMENSIONS IN MM ARE FOR REFERENCE ONLY AND ARE SUBJECT TO CHANGE WITHOUT PRIOR INTIMATION.

**PART - 'X'**



**DESIGN : BONNET ASSEMBLY**

**DIMENSIONAL DETAILS**

Model No	Size	A	L	L1	H	E	Orifice
BAX - 2NVFF	1/8"	28.00	56.00	28.00	92.00	3.20	
BAX - 4NVFF	1/4"	28.00	56.00	28.00	92.00	3.20	
BAX - 6NVFF	3/8"	28.00	56.00	28.00	92.00	3.20	
BAX - 8NVFF	1/2"	32.00	64.00	32.00	95.00	4.80	
BAX - 12NVFF	3/4"	38.00	64.00	32.00	97.00	4.80	
BAX - 16NVFF	1"	45.00	78.00	39.00	118.00	4.80	
BAX - 24NVFF	1 1/2"	65.00	85.00	42.50	110.00	4.80	
BAX - 32NVFF	2"	75.00	90.00	45.00	115.00	4.80	

**For Ordering add**

TP-Teflon Packing, GP-Gratfoil Packing, VT-'V' Tip, BT-Ball Tip.

**For e.g : Model No. 8NVFF-TP-VT**

Where '8' Stands for 1/2", 'NV' Stands for Needle Valve, 'FF' Stands For Female X Female, 'TP' Stands for Teflon Packing & 'VT' Stands for 'V' Tip.

**BAXCELL Instrument Valves & Fittings Pvt. Ltd.**  
(4th ISD 9001/2008 CH/PA/11)



**Title : FEMALE-FEMALE NEEDLE VALVE**

**DRAWING NO. : BAX-NVFF-01**

**REV. NO. 00**

**SCALE : NTS DATE : 01.12.2011**

**DRAWN BY :**

**CHECKED BY :**

**APPROVED BY :**