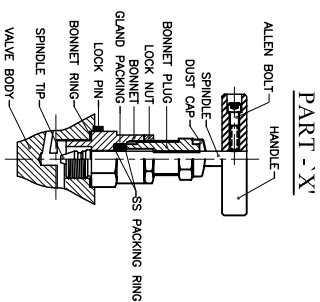


**TECHNICAL SPECIFICATION**  
**DESCRIPTION**

TITLE	BODY-ASTM A 182 F 316/316L & ALL OTHER SPARES ASTM A 479 GR.316/316L.
M.O.C.	SCREWED BONNET
DESIGN	NON-ROTATING 'V' TIP/TC 'BALL' TIP
SPINDLE	o) PTFE AS STD UP TO MAX. 250 DEG & GRAFOIL AS OPTIONAL FOR HIGHER TEMPERATURE UP TO MAX. 648°C FOR STREAM SERVICES.
PACKING	BONNET LOCK PIN TO PREVENT ACCIDENTAL LOOSENING.
LOCK PIN	COLOUR CODED ALUMINIUM STICKERS ON BONNET FOR ISOLATION
IDENTIFICATION	ALONGWITH STEM DUST VINYL CAPS OF RED COLOUR.
HANDLE	SS BAR TYPE WITH ALLEN BOLT.
VISUAL FINISH	MATT FINISH / ELECTRO POLISH FINISH.
MARKING	LOGO/BRAND NAME MODEL NO., M.O.C, PRESSURE RATING & FLOW DIRECTION
LUBRICANT	o)ANTI SEIZE - NEVER-SEEZ b)THREAD SOLVENT - LOCTITE-542
THREADS	o)NPT THREAD AS PER ANSI B 2.1 b) BSPP THREAD AS PER BS 2779 c) BSPT THREAD AS PER BS21
HYDRO TEST	FOR PTFE PACKING UPTO 6000 PSI & FOR GRAFOIL PACKING 4500 PSI
PNEUMATIC TEST	150 PSI
NITROGEN TEST	2000 PSI
TEST AVAILABLE UPON REQUESTS :	VIBRATION, TEMPERATURE CYCLING, HELIUM etc.
VALVES CAN BE SUPPLIED TO MEET CURRENT REVISION NACE MR-01-75	

\*NOTE : ALL DIMENSIONS IN MM ARE FOR REFERENCE ONLY AND ARE SUBJECT TO CHANGE WITHOUT PRIOR INTIMATION.



DESIGN : BONNET ASSEMBLY

**DIMENSIONAL DETAILS**

Model No	Size	A	C	L	L1	H	"E" Orifice
BAX-4NVFFD	1/4"	28.00	25.00	74.00	28.00	87.00	3.20
BAX-6NVFFD	3/8"	28.00	25.00	74.00	28.00	87.00	3.20
BAX-8NVFFD	1/2"	32.00	30.00	84.00	35.00	87.00	4.80

**For Ordering add**

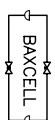
TP-Teflon Packing, GP-Grafoil Packing, VT-'V' Tip, BT-Ball Tip.

For e.g : **Model No. 8NVFFD-TP-VT**

Where '8' Stands for 1/2", 'NV' Stands for Needle Valve, 'FF' Stands for Female X Female, 'D' Stands for Drain Plug, 'TP' Stands for Teflon Packing & 'VT' Stands for 'V' Tip.

**BAXCELL Instrument Valves & Fittings Pvt. Ltd.**

(4th ISD 9001-2008 CDWPA1117)



Title : **FEMALE - FEMALE (WITH VENT PLUG) NEEDLE VALVE**

DRAWING NO.: **BAX-NVFFD-08**

REV. NO. **00**

SCALE : NTS DATE : **01.12.2011**

DRAWN BY :

CHECKED BY :

APPROVED BY :