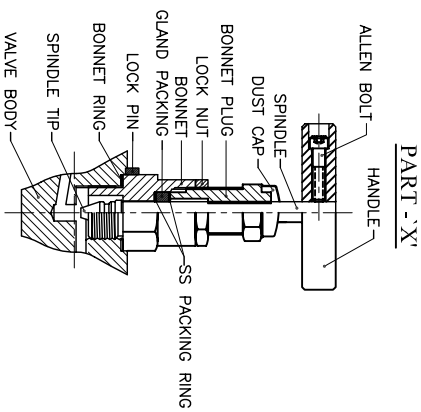


**TECHNICAL SPECIFICATION**

**DESCRIPTION**

TITLE	BODY-ASTM A 182 F 316/316L & ALL OTHER SPARES ASTM A 479 GR.316/316L.
M.O.C.	SCREWED BONNET
DESIGN	NON-ROTATING 'V' TIP/TC 'BALL' TIP
SPINDLE	o) PTFE AS STD UP TO MAX. 250 DEG & GRAFOIL AS OPTIONAL FOR HIGHER TEMPERATURE UP TO MAX. 648°C.FOR STREAM SERVICES.
PACKING	BONNET LOCK PIN TO PREVENT ACCIDENTAL LOOSENING.
LOCK PIN	COLOUR CODED ALUMINIUM STICKERS ON BONNET FOR ISOLATION
IDENTIFICATION	ALONGWITH STEAM DUST VINYL CAPS OF RED COLOUR.
HANDLE	SS BAR TYPE WITH ALLEN BOLT.
VISUAL FINISH	MATT FINISH / ELECTRO POLISH FINISH.
MARKING	LOGO/BRAND NAME MODEL NO., M.O.C, PRESSURE RATING & FLOW DIRECTION
LUBRICANT	o)ANTI SEIZE - NEVER-SEEZ b)THREAD SOLVENT - LOCTITE-542
THREADS	Tube OD
HYDRO TEST	FOR PTFE PACKING UPTO 6000 PSI & FOR GRAFOIL PACKING 4500 PSI
PNEUMATIC TEST	150 PSI
NITROGEN TEST	2000 PSI
TEST AVAILABLE UPON REQUESTS	: VIBRATION, TEMPERATURE CYCLING, HELIUM etc.
VALVES CAN BE SUPPLIED TO MEET CURRENT REVISION NACE MR-01-75	

\*NOTE : ALL DIMENSIONS IN MM ARE FOR REFERENCE ONLY AND ARE SUBJECT TO CHANGE WITHOUT PRIOR INTIMATION. METRIC VALVES ARE IDENTIFIED BY A STEPPED SHOULDER ON BOTH THE BODY AND THE THREADED END OF THE NUT.



DESIGN : BONNET ASSEMBLY

**DIMENSIONAL DETAILS**

Model No.	Size	A	L	L1	H	E
BAX-4NVOD	1/4"	28.00	64.00	32.00	87.00	3.20
BAX-6NVOD	3/8"	28.00	68.00	34.00	87.00	3.20
BAX-8NVOD	1/2"	28.00	72.00	36.00	87.00	4.80
BAX-12NVOD	3/4"	32.00	76.00	38.00	89.00	4.80
BAX-16NVOD	1"	42.00	96.00	48.00	94.00	8.00
BAX-6MNVOD	6 MM	28.00	64.00	32.00	87.00	3.20
BAX-8MNVOD	8 MM	28.00	68.00	34.00	87.00	3.20
BAX-10MNVOD	10 MM	28.00	72.00	38.00	87.00	4.80
BAX-12MNVOD	12 MM	32.00	76.00	43.00	89.00	4.80
BAX-20MNVOD	20 MM	42.00	96.00	48.00	94.00	8.00
BAX-25MNVOD	25 MM	42.00	96.00	48.00	94.00	8.00

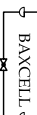
**For Ordering add**

TP-Teflon Packing, GP-Gratofil Packing, VT-"V" Tip, BT-Ball Tip.

For e.g : **Model No. 8NVOD-TP-VT**

Where '8' Stands for 1/2", "NV" Stands for Needle Valve, OD Stands For Tube Connection, 'TP' Stands for Teflon Packing & 'VT' Stands for 'V" Tip.

**BAXCELL Instrument Valves & Fittings Pvt. Ltd.**  
 (An ISO 9001:2008 Certified)



Title : **TUBE END - TUBE END NEEDLE VALVE**

DRAWING NO.: **BAX-NVOD-07**

REV. NO. **00**

SCALE : NTS DATE : **01.12.2011**

DRAWN BY :

CHECKED BY :

APPROVED BY :